

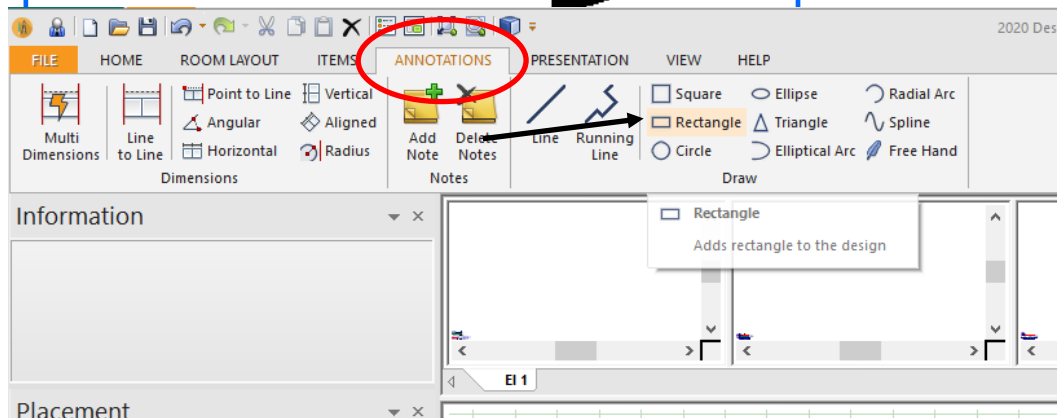
November 2020
TH&A Monthly Training
www.THAHD.com

*Thomasville Experience:
Creating Waterfall Countertops*

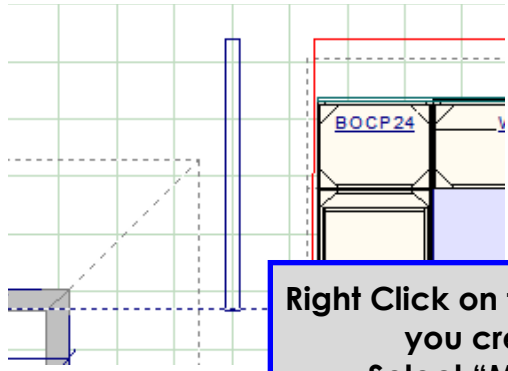
Do you have a
20-20 question?

Ask your
Thomasville Representative!

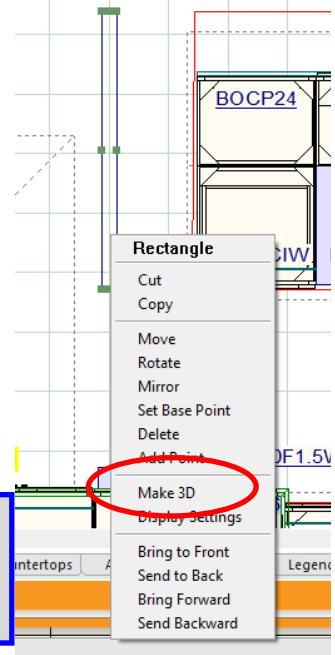
Thomasville Experience: Creating Waterfall Countertops



*Create a Rectangle from shapes on the Annotations Tab.
Place this near your island, trying to make it roughly the size that you'll need.*



**Right Click on the Rectangle you created.
Select "Make 3D"**



TH&A
Todd Haley & Associates

www.thomasvillecabinetry.com
www.homedepot.com

See Next Page to continue:

Thomasville Experience: Creating a Waterfall Countertop

In the Pop-Up Menu, Double-Click on each of the following options
"Counter Tops",
then "Square Top",
then "SQ.FT-TOP"

Once this is complete, your rectangle will be outlined in Red. It's now a piece of countertop

*Make your life easier!
If you need this for both ends, just Copy and Paste to make the second one.
Left Click the countertop.
Hold CTRL + C then CTRL + V and place your copy.*

-Right-Click on the Waterfall Countertop. **Edit Shape** to adjust the size.
-Under the **Attributes**, you can edit the Height in **Variables > Dimensions**.
This is generally 34 1/2"
-Also, **Edit Shape** on your main countertop to drag it over the Waterfall sides.

*Thomasville Cabinetry
Available only at Home Depot!
We are Home Depot!*

