

December 2020
TH&A Monthly Training
www.THAHD.com

*Thomasville Experience:
Locating and Applying
Modifications in 2020*

Do you have a
20-20 question?

Ask your
Thomasville Representative!

TH&A

Todd Haley & Associates

Thomasville Experience: Locating and Applying Modifications in 2020

In your Spec Book, each item has a series of modifications listed. If they are available on that cabinet, there will be a check in the box. Take notice of any footnotes to ensure availability

base with roll trays

24", 27", 30", 33", or 36"
34 1/2"
24"

Butt Doors
B24RT
B27RT
B30RT
B33RT
B36RT

- Two roll trays standard.
- Cabinet may accommodate up to four roll trays, which may be purchased separately for field installation. See page 499.

Door & Drawer Options				Construction Upgrades			End Panel Options		
CG	DPSRR	ISCPORW		APC	ET	PE	AUTH	FFD	FPFB
<input checked="" type="checkbox"/>	<input checked="" type="checkbox"/>	<input checked="" type="checkbox"/>	<input checked="" type="checkbox"/>	<input checked="" type="checkbox"/>	<input checked="" type="checkbox"/>	<input checked="" type="checkbox"/>	<input checked="" type="checkbox"/>	<input checked="" type="checkbox"/>	<input checked="" type="checkbox"/>

Custom Modifications

DBD	COO	KE	RD	CFP	ICFRMO	CMAT	QND	DRT	DRWPAWR	DRWSEC	DRWTK	EXBK	EX FD	FTK	FTK V	ID	INFRM	LTI	MP	P	PTOWB	RD	RECTKALL	RECTKBR	RECTK	RT	TD	TOTSSS	TVR	V	VTK
<input checked="" type="checkbox"/>	<input checked="" type="checkbox"/>	<input checked="" type="checkbox"/>	<input checked="" type="checkbox"/>	<input checked="" type="checkbox"/>	<input checked="" type="checkbox"/>	<input checked="" type="checkbox"/>	<input checked="" type="checkbox"/>	<input checked="" type="checkbox"/>	<input checked="" type="checkbox"/>	<input checked="" type="checkbox"/>	<input checked="" type="checkbox"/>	<input checked="" type="checkbox"/>	<input checked="" type="checkbox"/>	<input checked="" type="checkbox"/>	<input checked="" type="checkbox"/>	<input checked="" type="checkbox"/>	<input checked="" type="checkbox"/>	<input checked="" type="checkbox"/>	<input checked="" type="checkbox"/>	<input checked="" type="checkbox"/>	<input checked="" type="checkbox"/>	<input checked="" type="checkbox"/>	<input checked="" type="checkbox"/>	<input checked="" type="checkbox"/>	<input checked="" type="checkbox"/>	<input checked="" type="checkbox"/>	<input checked="" type="checkbox"/>	<input checked="" type="checkbox"/>	<input checked="" type="checkbox"/>	<input checked="" type="checkbox"/>	

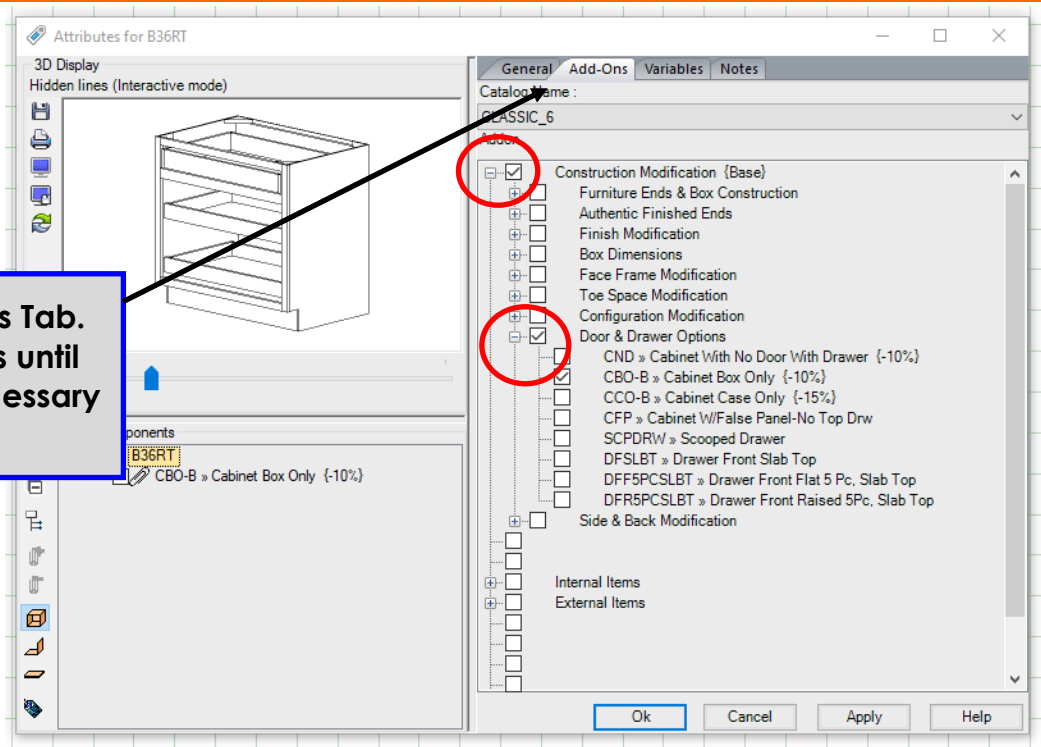
¹DRWSEC only available on 24" wide cabinets.
²RECTKALL not available on 24" wide cabinets.

If using multiple modifications on a single cabinet, refer to the Modification Compatibility Chart on page 68/69 in this years Spec Book to ensure they can be applied together.

Right-click on your desired cabinet. Click on Attributes at the bottom of the menu.

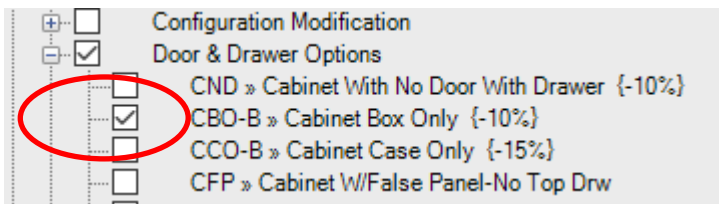
See Next Page to continue:

Thomasville Experience: Locating and Applying Modifications in 2020

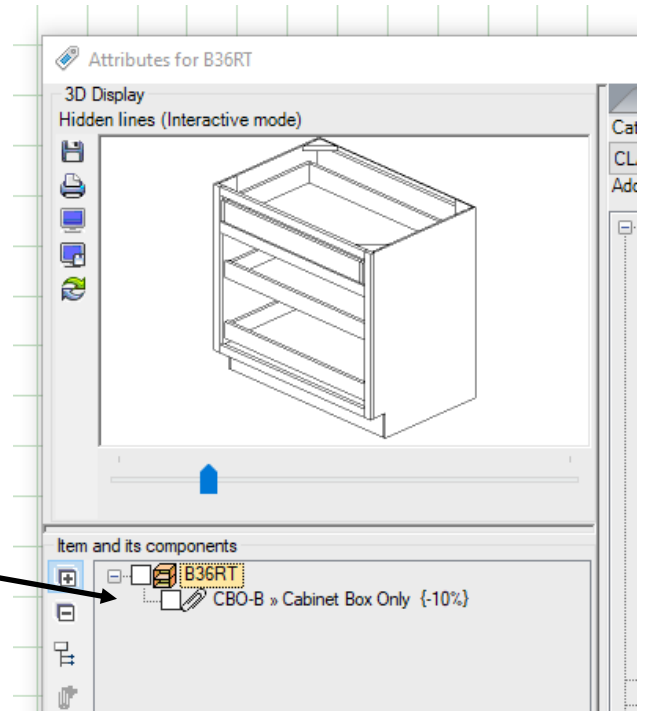


Go into the Add-Ons Tab. Select the Plus Signs until you open up the necessary category

Check the box of the modification that you need.



Confirm that it now appears in the Item Components on the left side of the Attributes display.



*Thomasville Cabinetry
Available only at Home Depot!
We are Home Depot!*

